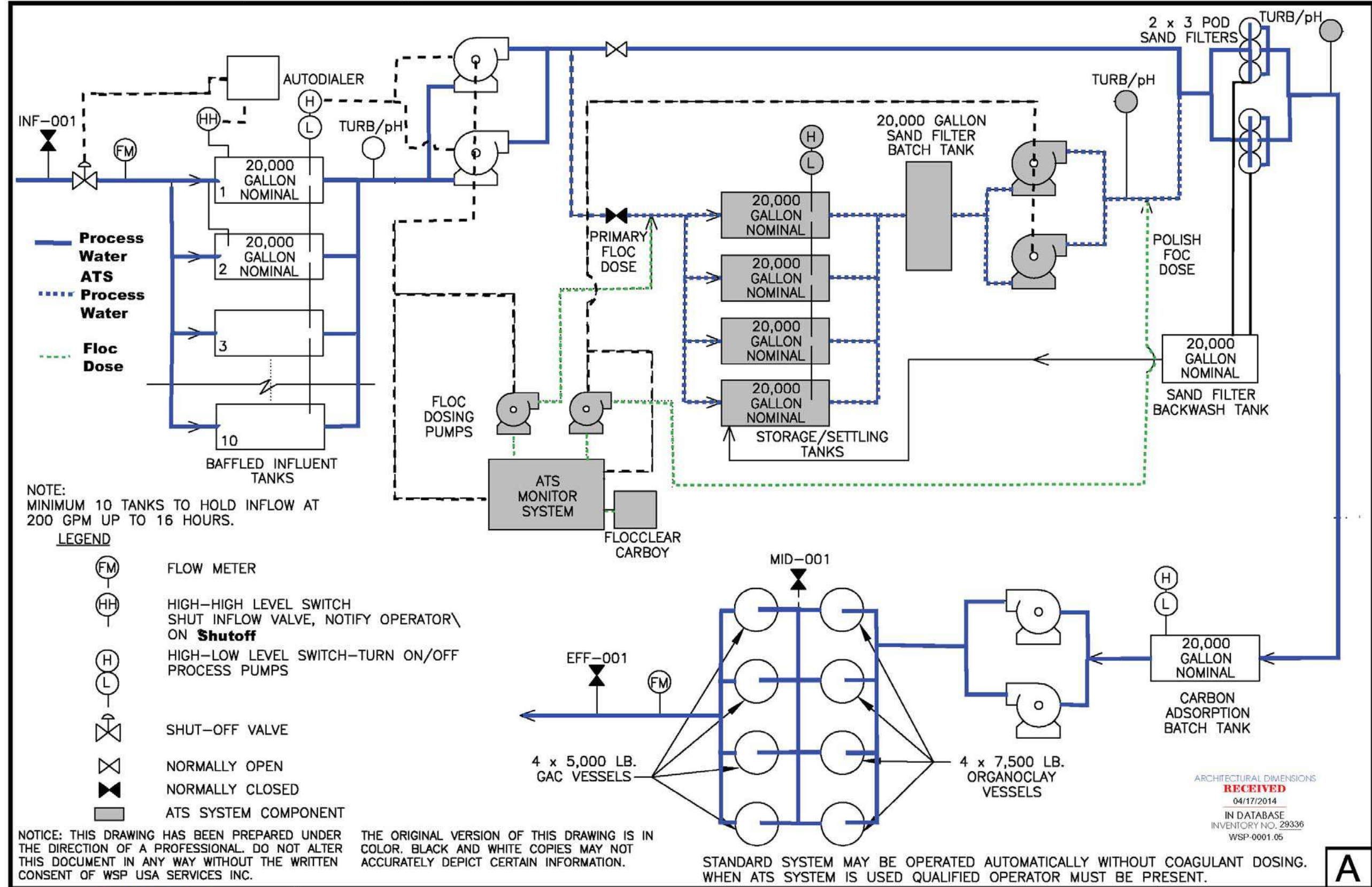


# Water Treatment Plant

- The current water treatment plant which supports the ongoing construction has been included in the BOD to illustrate the configuration for the anticipated water treatment plant.
  - The actual sizing and location for the water treatment plant will be determined during the design process.
- The operating information for the water treatment plant can be found in the Appendix to the BOD.



ARCHITECTURAL DIMENSIONS  
**RECEIVED**  
 04/17/2014  
 IN DATABASE  
 INVENTORY NO. 29336  
 WSP-0001.05

**A**

**WSP**  
 WSP Services, Inc.  
 2025 Gateway Place, Suite 435  
 San Jose, California 95110  
 (408) 453-6100  
 www.wspgroup.com/usa

Figure 2  
 UTILITY TRENCH TREATMENT SYSTEM  
 PROCESS FLOW DIAGRAM

OAKLAND ARMY BASE REDEVELOPMENT PROJECT  
 CONSTRUCTION DEWATERING TREATMENT PLAN  
 PREPARED FOR  
 TURNER/TOPGRADE/FLATIRON JV  
 OAKLAND, CALIFORNIA

Drawn By: LS 3/19/2014  
 Checked: *RL* 3/19/14  
 Approved: *RL* 3/19/14  
 DWG Name: 14M0080-008